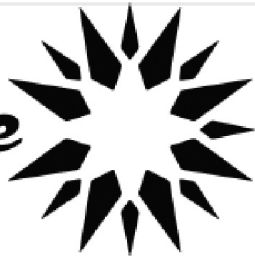
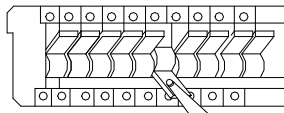


# Dainolite



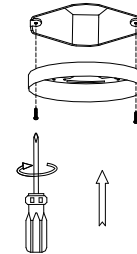
# ALT-225C

OFF/FERME

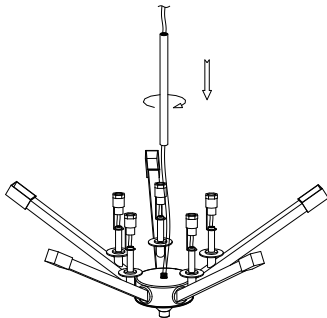


1

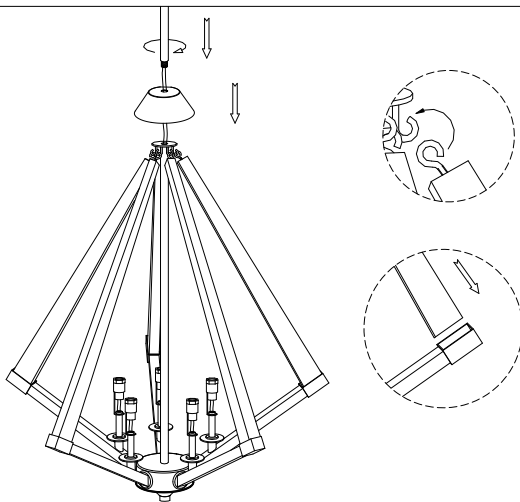
5



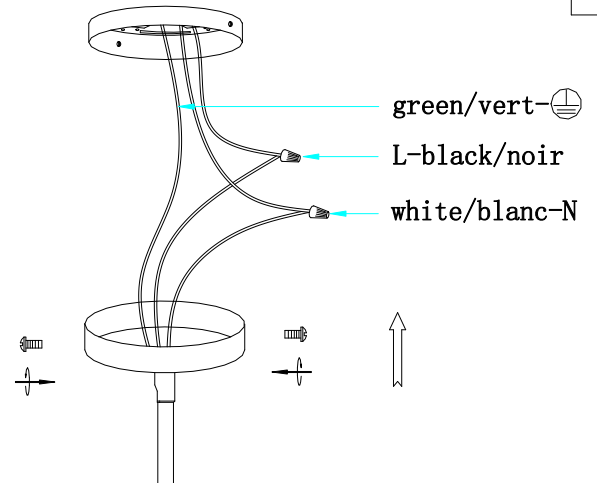
2



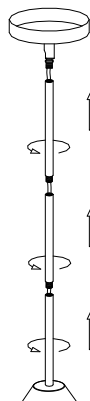
3



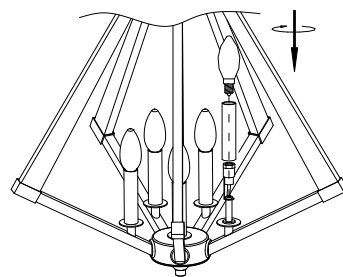
6



4



7



5XE12 60W MAX  
Not included/  
pas inclus

1401 Courtneypark Dr. E Mississauga, Ontario, Canada L5T 2E4

Tel. (905) 564-1262

Fax. (905) 564-1299

E-mail: dainolite@dainolite.ca

Web: www.dainolite.ca

Mar 4, 2016