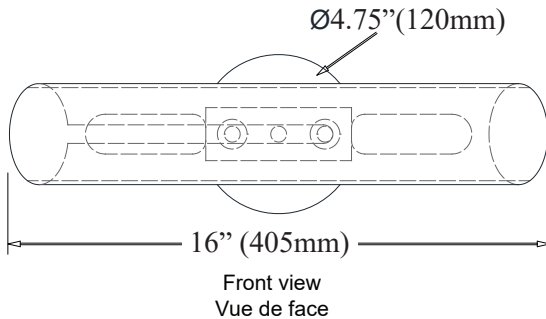
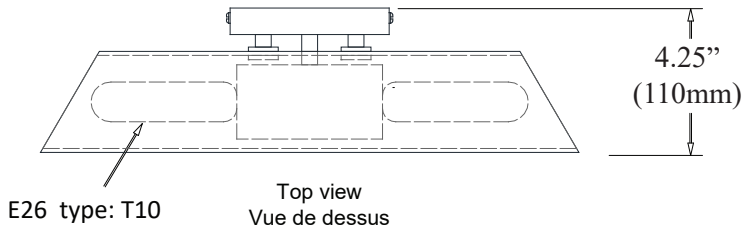


# SAM-162W



Horizontal installation / Installation horizontale