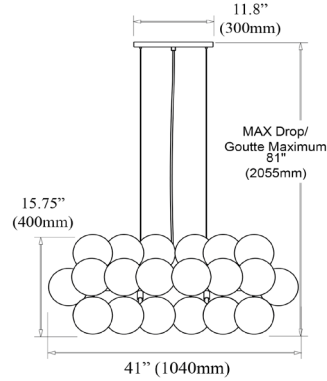


CLZ-418HP-MB - Charlize 10LT Horiz Pendant, MB w/CLR Spiral Glass

10 Light Halogen Horizontal Pendant Matte Black with Clear Spiral Glass



CLZ-418HP



Height	15.75"
Width/Length	41"
Depth	16.25"
Weight	13.5 lbs

Body Material	Glass
Finish/Color	Clear
Type of Finish	Spiral

Light Qty	10
Light Base	G9
Light Max Watt	40
Light Inc	No

Dimmable	Dimmable
LED Compatible	LED Compatible
Total Wattage	400W

Second Material	Metal
Second Finish/Color	Matte Black
Second Type of Finish	Painted

Rated For	Damp
Voltage	120V

Approval	cUL or equivalent
Warranty	1 year Limited
Install Position	Ceiling

Extension Length 72

Date:	Notes:
Fixture Type:	
Job Name:	

Lighting | LED | Shades | Custom Designs

www.dainolite.com 1-888-564-1262 dainolite@dainolite.com

Dainolite 
TORONTO | BUFFALO