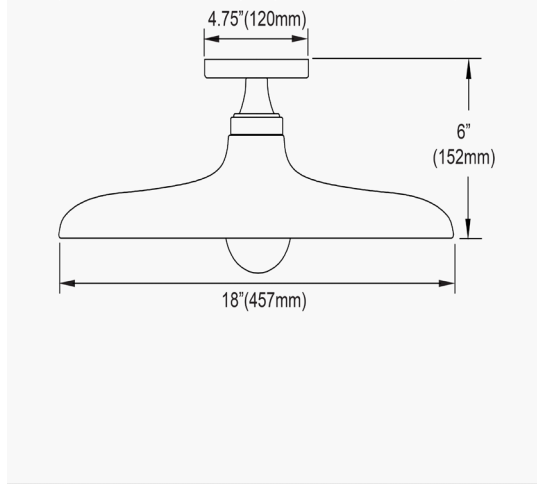


QTN-181SF-MB - Quentin 1LT Semi-Flush mount, MB

1 Light Semi-Flush Mount in Matte Black



Height	6"
Width/Length	18"
Depth	18"
Weight	3 lbs

Body Material	Metal
Finish/Color	Matte Black
Type of Finish	Painted

Light Qty	1
Light Base	E26
Light Max Watt	60
Light Inc	No

Dimmable	Dimmable
LED Compatible	LED Compatible
Total Wattage	60W

Rated For	Damp Location
Voltage	120V

Approval	cUL or equivalent
Warranty	1 Year Limited
Install Position	Ceiling

Date:	Notes:
Fixture Type:	
Job Name:	

Lighting | LED | Shades | Custom Designs

 www.dainolite.com
 1-888-564-1262
  dainolite@dainolite.com

Dainolite 
 TORONTO | BUFFALO