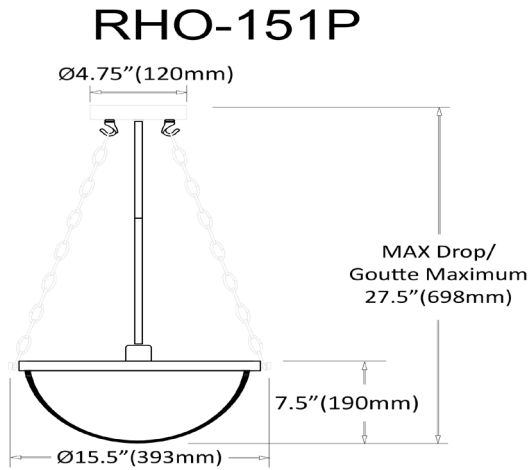


RHO-151P-MB - Rhonda 1LT Incandescent Pendant, MB w/ WH Glass

1 Light Incandescent Rhonda Pendant Matte Black w/ White Glass



Height	7.5"
Width/Length	15.5"
Depth	15.5"
Weight	7 lbs

Body Material	Glass
Finish/Color	White
Type of Finish	Opal

Light Qty	1
Light Base	E26
Light Max Watt	100
Light Inc	No

Dimmable	Dimmable
LED Compatible	LED Compatible
Total Wattage	100W

Second Material	Metal
Second Finish/Color	Matte Black
Second Type of Finish	Painted


Rated For	Damp Location
Voltage	120V

Approval	cUL or equivalent
Warranty	1 Year Limited
Install Position	Ceiling

Extension Length	20.5
-------------------------	------

Date:	Notes:
Fixture Type:	
Job Name:	

Lighting | LED | Shades | Custom Designs

 www.dainolite.com  1-888-564-1262  dainolite@dainolite.com

Dainolite 
TORONTO | BUFFALO